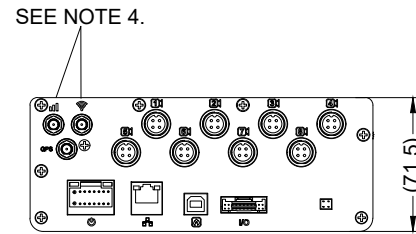
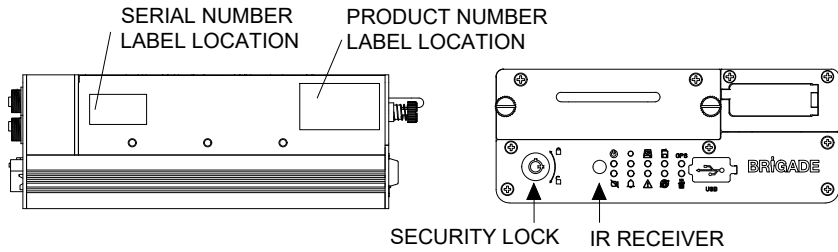
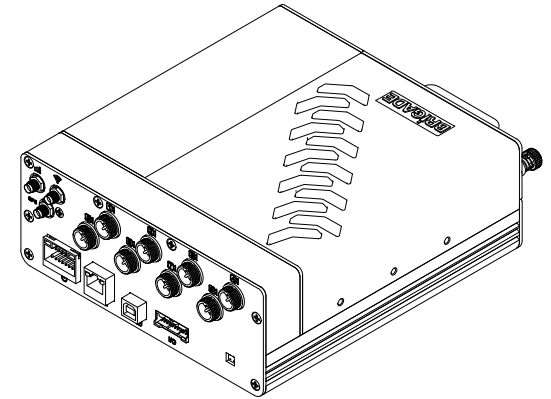
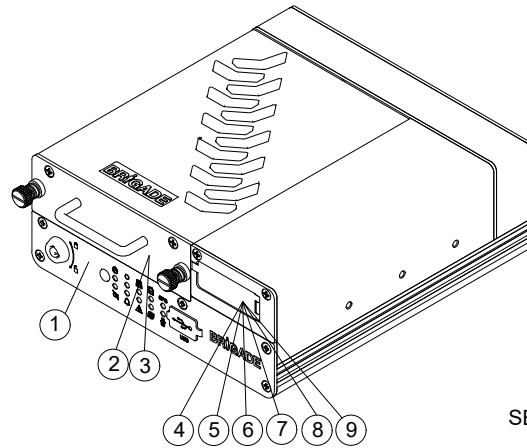
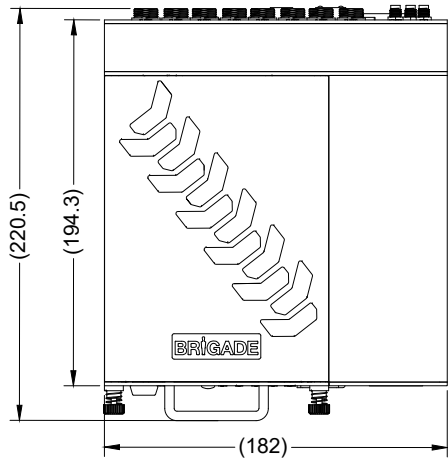


Revision Notes:				
R1 - ADDING MODELS AS PER P1129 AND P1183 RELEASE				
APA: CAROL LI	Drawn: S. ZHANG	Checked: J. TYRRELL	Approved: R. PENTLEY	Date: 02/10/18



SEE NOTE 4.

- NOTES:**
1. REFERENCE INSTRUCTION GUIDE FOR FUNCTIONALITY.
 2. FOR ALL LABELS AND PACKAGING DETAILS REFER TO MASTER BOM.
 3. ANY CUSTOMER MODIFICATION OF THIS PRODUCT CAUSING SUBSEQUENT FAILURE IS NOT A LIABILITY OF BRIGADE ELECTRONICS GROUP PLC.
 4. MOBILE NETWORK AND WI-FI CAPABILITIES DEPEND ON MODEL AND AVAILABILITY.
 5. VARIOUS SYSTEM OPTIONS A, B, C OR D CONTAIN RELEVANT COMPONENTS.

PROPRIETARY NOTICE
 THIS DESIGN AND TECHNICAL INFORMATION APPEARING ON THIS DRAWING IS THE PROPERTY OF BRIGADE ELECTRONICS, AND IS DISCLOSED IN CONFIDENCE. IT IS NOT TO BE COPIED, REPRODUCED, REVEALED TO OR EXPROPRIATED BY OTHERS, EITHER IN WHOLE OR IN PART WITHOUT THE EXPRESS WRITTEN CONSENT OF BRIGADE ELECTRONICS.

BRIGADE
 www.brigade-electronics.com

Assembly Pt Approval SOFIA ZHANG	Approved by B. JOHN	Checked by R. BATES	Drawn by L. PILLAY
Sheet No 1 of 2	Angle of Projection 	Units mm	Scale N/A
Status RELEASED	Released 26/04/17	Assembly Ref N/A	MDR-508XX-XXXX-CU
Part No VARIOUS			BE-003421-01-16

Revision Notes:				
R1 - ADDING MODELS AS PER P1129 AND P1183 RELEASE				
APA: CAROL LI	Drawn:S. ZHANG	Checked:J. TYRRELL	Approved:R. PENTLEY	Date: 02/10/18

SYSTEM	PART NUMBER	QTY	MODEL NUMBER	DESCRIPTION
(A)	5151	1	MDR-508-1000-CU	MOBILE DIGITAL RECORDER CONTROL UNIT WITH 1TB HDD, GPS, G-SENSOR & 64GB SD CARD
(B)	5152	1	MDR-508GW-1000-CU	MOBILE DIGITAL RECORDER CONTROL UNIT WITH 1TB HDD, GPS, G-SENSOR, 4G, Wi-Fi & 64GB SD CARD
(C)	5153	1	MDR-508G-1000-CU	MOBILE DIGITAL RECORDER CONTROL UNIT WITH 1TB HDD, GPS, G-SENSOR, 4G & 64GB SD CARD
(D)	5154	1	MDR-508W-1000-CU	MOBILE DIGITAL RECORDER CONTROL UNIT WITH 1TB HDD, GPS, G-SENSOR, Wi-Fi & 64GB SD CARD
(E)	5578	1	MDR-508-2000-CU	MOBILE DIGITAL RECORDER CONTROL UNIT WITH 2TB HDD, GPS, G-SENSOR & 64GB SD CARD
(F)	5586	1	MDR-508GW-2000-CU	MOBILE DIGITAL RECORDER CONTROL UNIT WITH 2TB HDD, GPS, G-SENSOR, 4G, Wi-Fi & 64GB SD CARD
(G)	5584	1	MDR-508G-2000-CU	MOBILE DIGITAL RECORDER CONTROL UNIT WITH 2TB HDD, GPS, G-SENSOR, 4G & 64GB SD CARD
(H)	5580	1	MDR-508W-2000-CU	MOBILE DIGITAL RECORDER CONTROL UNIT WITH 2TB HDD, GPS, G-SENSOR, Wi-Fi & 64GB SD CARD
(I)	5505	1	MDR-508GW-1000-CU(NA)	MOBILE DIGITAL RECORDER CONTROL UNIT WITH 1TB HDD, GPS, G-SENSOR, 4G, Wi-Fi & 64GB SD CARD, NORTH AMERICAN VARIANT
(J)	5540	1	MDR-508G-1000-CU(NA)	MOBILE DIGITAL RECORDER CONTROL UNIT WITH 1TB HDD, GPS, G-SENSOR, 4G & 64GB SD CARD, NORTH AMERICAN VARIANT
(K)	5557	1	MDR-508GW-2000-CU(NA)	MOBILE DIGITAL RECORDER CONTROL UNIT WITH 2TB HDD, GPS, G-SENSOR, 4G, Wi-Fi & 64GB SD CARD, NORTH AMERICAN VARIANT
(L)	5551	1	MDR-508G-2000-CU(NA)	MOBILE DIGITAL RECORDER CONTROL UNIT WITH 2TB HDD, GPS, G-SENSOR, 4G & 64GB SD CARD, NORTH AMERICAN VARIANT

R1

ITEM	①	②	③	④	⑤	⑥	⑦	⑧	⑨
DESCRIPTION	MDR 500 SERIES 8CH DOCKING STATION	MOBILE CADDY UNIT WITH 1TB HDD	MOBILE CADDY UNIT WITH 2TB HDD	EXPANSION MODULE WITH GPS, 4G, Wi-Fi AND 64GB SD CARD	EXPANSION MODULE WITH GPS, 4G, Wi-Fi AND 64GB SD CARD, NORTH AMERICAN VARIANT	EXPANSION MODULE WITH GPS, 4G AND 64GB SD CARD	EXPANSION MODULE WITH GPS, 4G AND 64GB SD CARD, NORTH AMERICAN VARIANT	EXPANSION MODULE WITH GPS, Wi-Fi AND 64GB SD CARD	EXPANSION MODULE WITH GPS AND 64GB SD CARD
MODEL NUMBER	MDR-508-DS	MDR-500-1000-MCU	MDR-500-2000-MCU	MDR-508GW-EXP	MDR-508GW-EXP(NA)	MDR-508G-EXP	MDR-508G-EXP(NA)	MDR-508W-EXP	MDR-508-EXP
PART NUMBER	5150	5157	5330	5147	5506	5148	5541	5149	5146
MDR-508-1000 QTY	1	1	-	-	-	-	-	-	1
MDR-508GW-1000 QTY	1	1	-	1	-	-	-	-	-
MDR-508G-1000 QTY	1	1	-	-	-	1	-	-	-
MDR-508W-1000 QTY	1	1	-	-	-	-	-	1	-
MDR-508-2000 QTY	1	-	1	-	-	-	-	-	1
MDR-508GW-2000 QTY	1	-	1	1	-	-	-	-	-
MDR-508G-2000 QTY	1	-	1	-	-	1	-	-	-
MDR-508W-2000 QTY	1	-	1	-	-	-	-	1	-
MDR-508GW-1000(NA) QTY	1	1	-	-	1	-	-	-	-
MDR-508G-1000(NA) QTY	1	1	-	-	-	-	1	-	-
MDR-508GW-2000(NA) QTY	1	-	1	-	1	-	-	-	-
MDR-508G-2000(NA) QTY	1	-	1	-	-	-	1	-	-

R1

- NOTES:
- REFERENCE INSTRUCTION GUIDE FOR FUNCTIONALITY.
 - FOR ALL LABELS AND PACKAGING DETAILS REFER TO MASTER BOM.
 - ANY CUSTOMER MODIFICATION OF THIS PRODUCT CAUSING SUBSEQUENT FAILURE IS NOT A LIABILITY OF BRIGADE ELECTRONICS GROUP PLC.
 - MOBILE NETWORK AND Wi-Fi CAPABILITIES DEPEND ON MODEL AND AVAILABILITY.
 - VARIOUS SYSTEM OPTIONS A, B, C OR D CONTAIN RELEVANT COMPONENTS.

PROPRIETARY NOTICE

THIS DESIGN AND TECHNICAL INFORMATION APPEARING ON THIS DRAWING IS THE PROPERTY OF BRIGADE ELECTRONICS, AND IS DISCLOSED IN CONFIDENCE. IT IS NOT TO BE COPIED, REPRODUCED, REVEALED TO OR EXPROPRIATED BY OTHERS, EITHER IN WHOLE OR IN PART WITHOUT THE EXPRESS WRITTEN CONSENT OF BRIGADE ELECTRONICS.

Assembly Pl Approval SOFIA ZHANG		Approved by B. JOHN	Checked by R. BATES	Drawn by L.PILLAY
Sheet No 2 of 2	<p>Angle of Projection</p> <p>Third Angle</p>	Units mm	Scale N/A	Released 26/04/17
Status RELEASED		Assembly Ref N/A		
Part No VARIOUS		MDR-508XX-XXXX-CU		
		BE-003421-01-16		

